

Troubleshooting

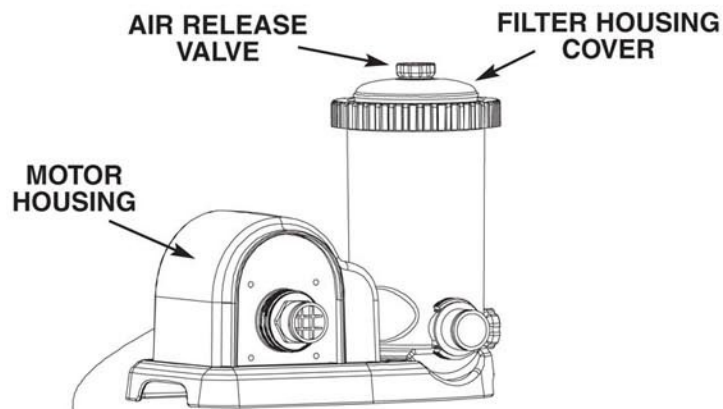
Model 635 and Model 636 Filter Pump

For 18 Foot Easy Set and Metal Frame Pools

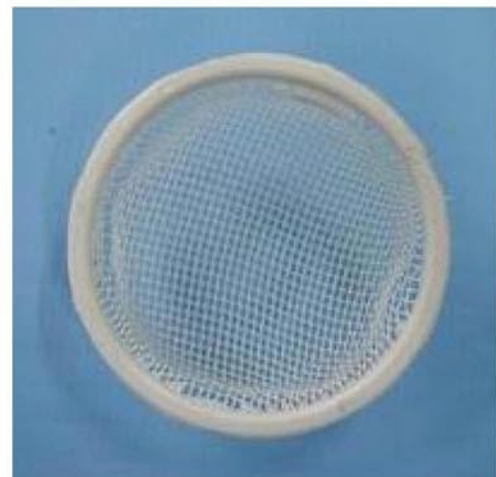
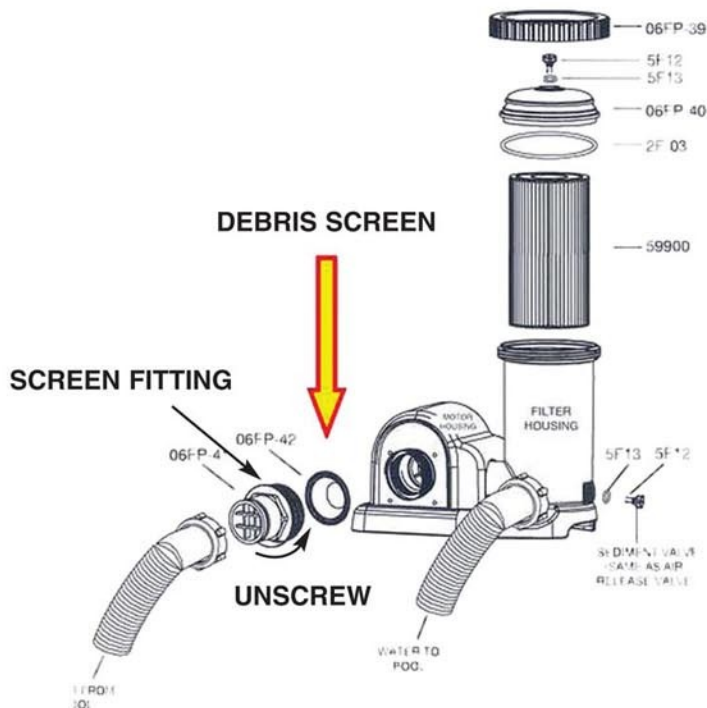
Problem: Low water flow

Solution:

1. Air in the system. With the pump turned OFF and the pool valves open, loosen the Air Release Valve as shown until water begins to flow out of the valve. Close valve and turn pump ON.



2. Clogged debris screen. With the pump turned OFF and unplugged, unscrew the Screen Fitting from the pump water inlet as shown. Remove debris screen and clean. Note: if you are using a water strainer on the inside of the pool for the pump water inflow, you do not need to also use the debris screen. You may remove the debris screen as the water strainer will serve the same function. Re-assemble the Screen Fitting to the pump motor housing. Plug pump in and turn ON.



Debris Screen
(May be removed if an inlet strainer is used)

3. Clogged filter cartridge. Follow your owner's manual section Filter Cartridge Cleaning (or Replacement).